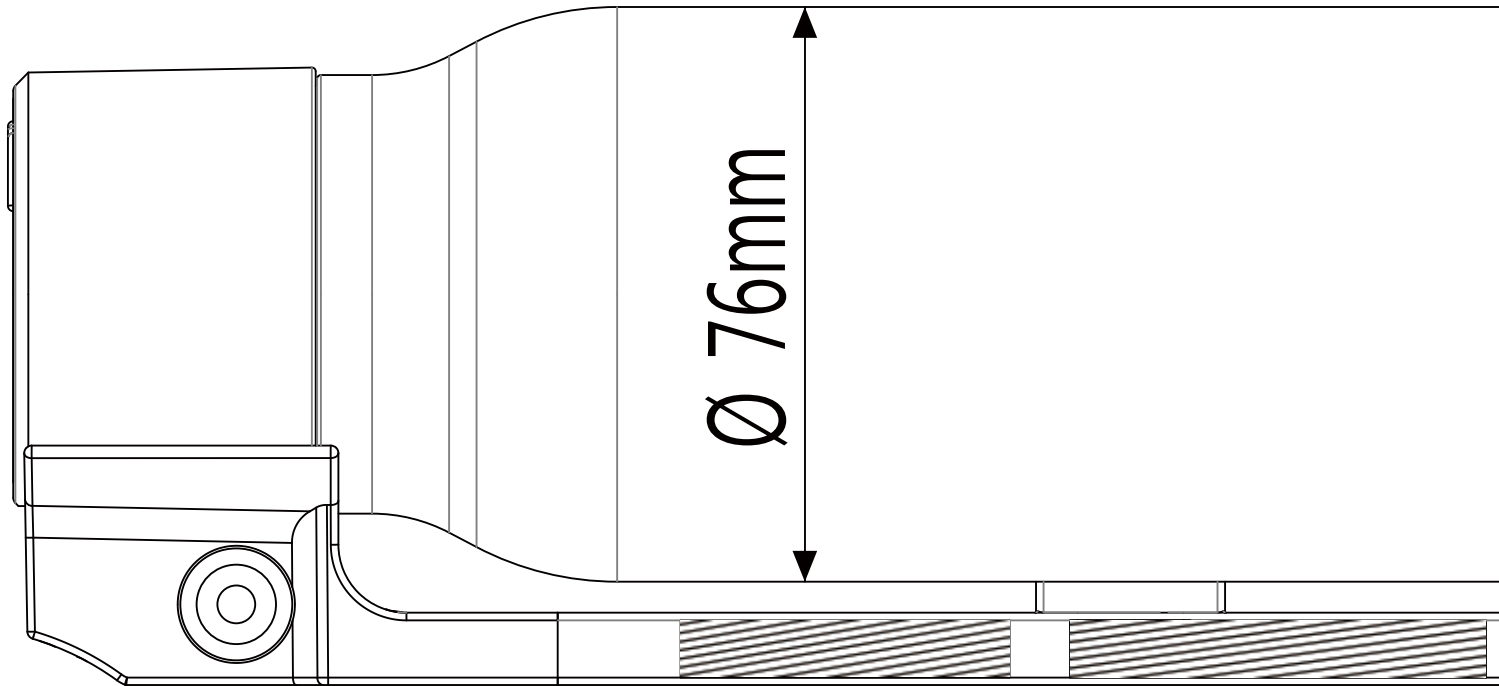


# Prime-C 1/2



Screw slot for bottle cage holder

Print settings:

1. Set the document size and paper size to the same "A4 210x297mm".
2. Keep the document unscaled or set the scaling to 100%.

