

Gecko-Dual Specification

Geeko-Dual Kits

Geeko Model	Mini-25052D	Mini-25070D	Mini-35070D	Solid-25100D	Solid-35100D	Prime-25078D	Prime-35078D	Prime-25100D	Prime-35100D	Max-25150D	Max-35150D	Max-50100D
Rear Motor Model	MT-3625R	MT-3625R	MT-3635R	MT-3625R	MT-3635R	MT-3625R	MT-3635R	MT-3625R	MT-3635R	MT-3625R	MT-3635R	MT-4850R
Front Motor Model	MT-3625F	MT-3625F	MT-3635F	MT-3625F	MT-3635F	MT-3625F	MT-3635F	MT-3625F	MT-3635F	MT-3625F	MT-3635F	MT-4850F
Motor Power	2x36V250W	2x36V250W	2x36V350W	2x36V250W	2x36V350W	2x36V250W	2x36V350W	2x36V250W	2x36V350W	2x36V250W	2x36V350W	2x48V500W
Battery Model	GB-36052-Mini-B3	GB-36070-Mini-B3		GB-36100-Solid-B3	GB-36100-Solid-B3	GB-36078-Prime-B3	GB-36078-Prime-B3	GB-36100-Prime-B3	GB-36100-Prime-B3	GB-36150-Max-B3	GB-36150-Max-B3	GB-48100-Max-B3
Bottle	Mini			Solid		Prime				Max		

Battery Capacity	2x36V5.2AH	2x36V7.0AH		2x36V10.0AH		2x36V7.8AH		2x36V10.0AH		2x36V15.0AH		2x48V10.0AH
Charger	2x42V2A			2x42V3A		2x42V2A		2x42V3A		2x42V3A		2x54.6V3A
Mileage in PAS mode at level 1 (km)*	130	170		260		190		260		400		260
Mileage in throttle mode (km)*	N/A	N/A	56	N/A	80	N/A	60	N/A	80	N/A	120	80

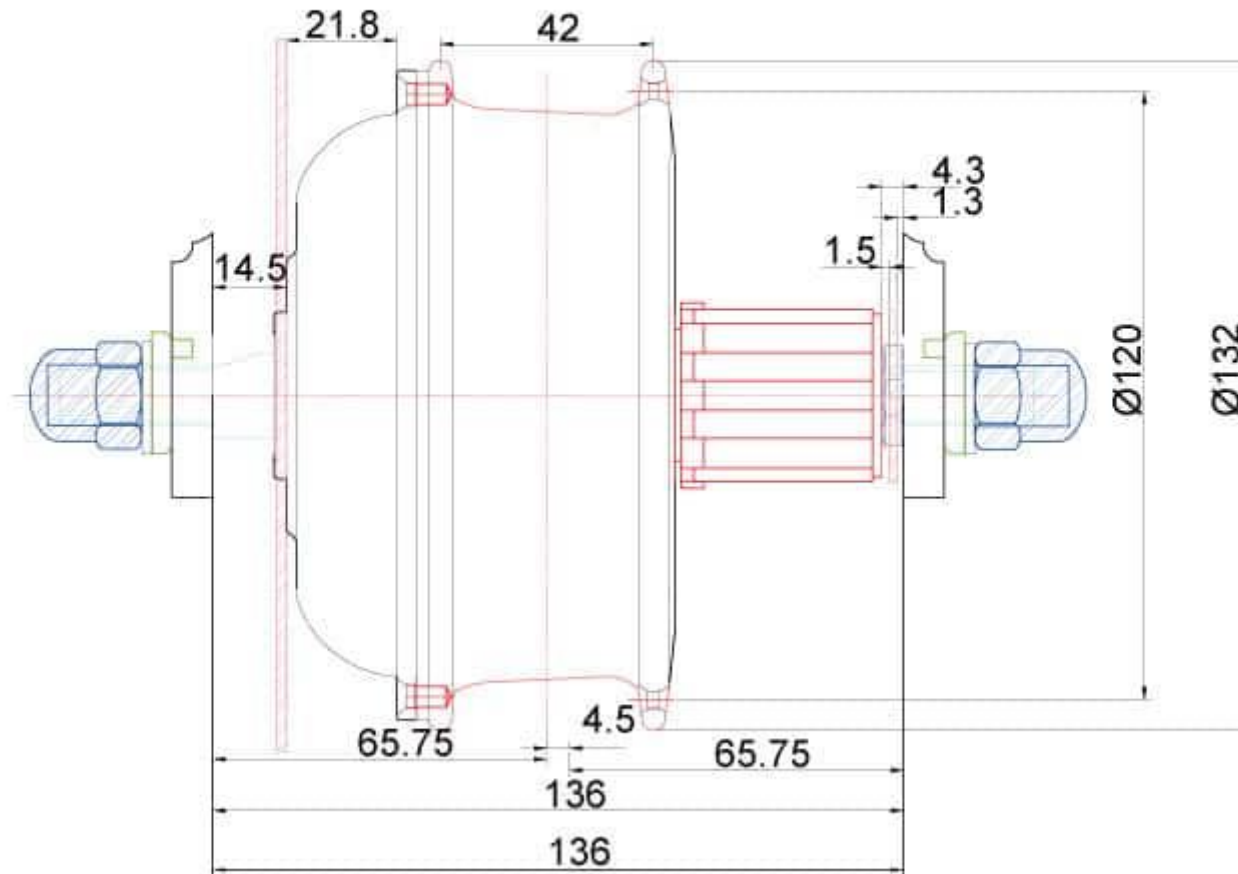
*Regarding the mileage, it is obtained under the following ideal conditions: flat road, no wind, 30 degrees Celsius, the rider's weight is 60KG, the actual mileage will vary due to different conditions

Geeko Rear Motors

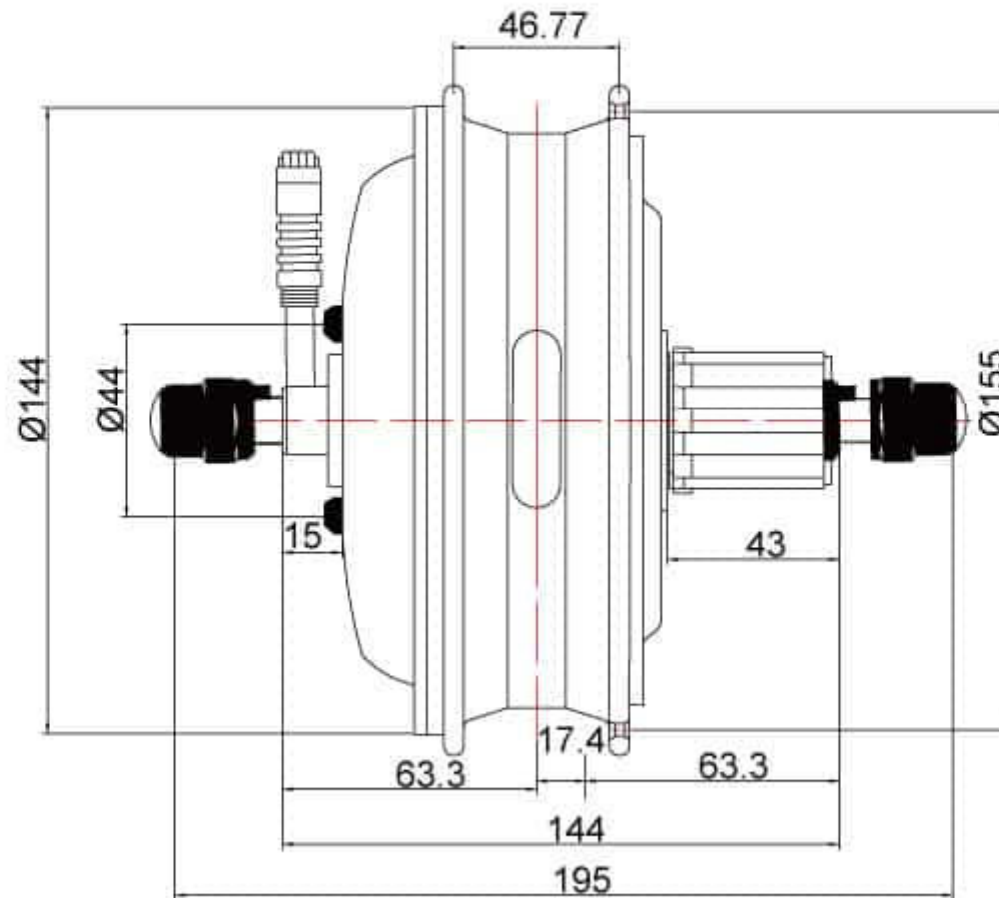
Geeko Rear Motor			
Motor Model	MT-3625R	MT-3635R	MT-4850R
Power	250W	350W	500W
Rated Voltage(V)	36		48
RPM	290	350	450
Construction	Gear Drive		
Gear Ratio	4.33		
Torque(NM)	38	40	48
Weight	2.6		3.5
Diameter(mm)	132		150
Efficiency(%)	>80%		
Cable & Connector	10 pins waterproof connector		
PAS Sensor	Built-In Cassette Sensor		

Cassette		Default version: 7-10S		
		Special version: 11-12S		
Spoke Holes		36		
Brake		Disc brake or V brake		
Dropout Size/OLD (mm)	7-10S	137		144
	11-12S	139		146
Max. Speed (KM/H)	20"	22	27	35
	26"	29	35	45
	27.5"	31	37	48
	700C	32	39	50
Waterproof		IP65		
Certificates		CE		

Geeko Rear 250W/350W Motor(7-10S)



Geeko Rear 500W Motor(7-10S)

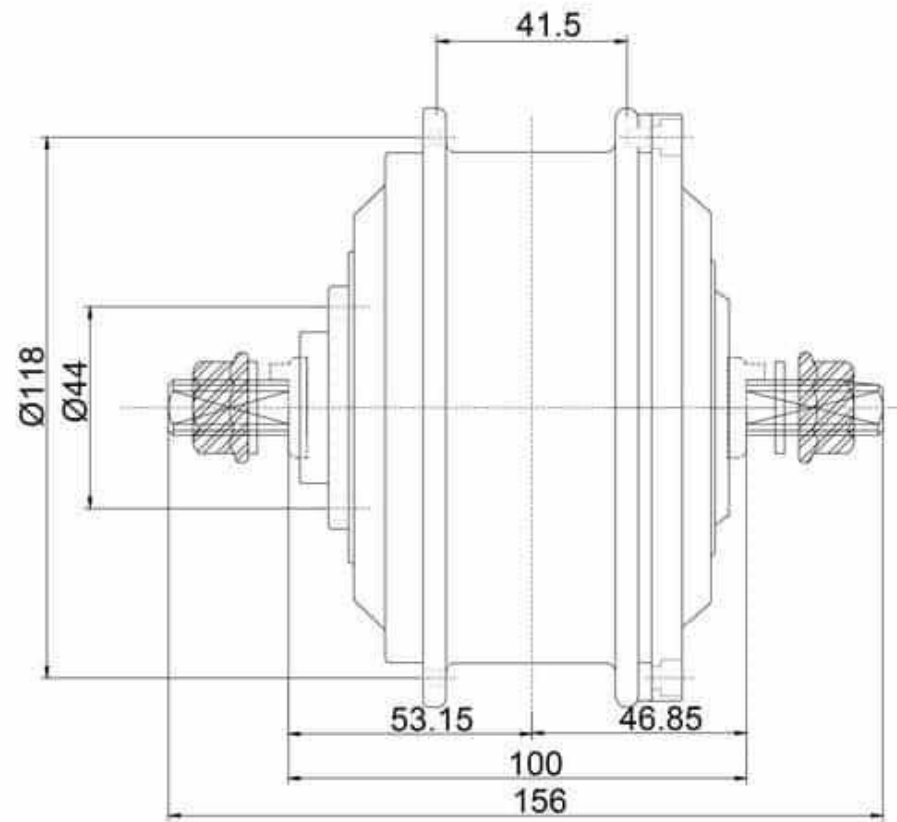


Geeko Front Motors

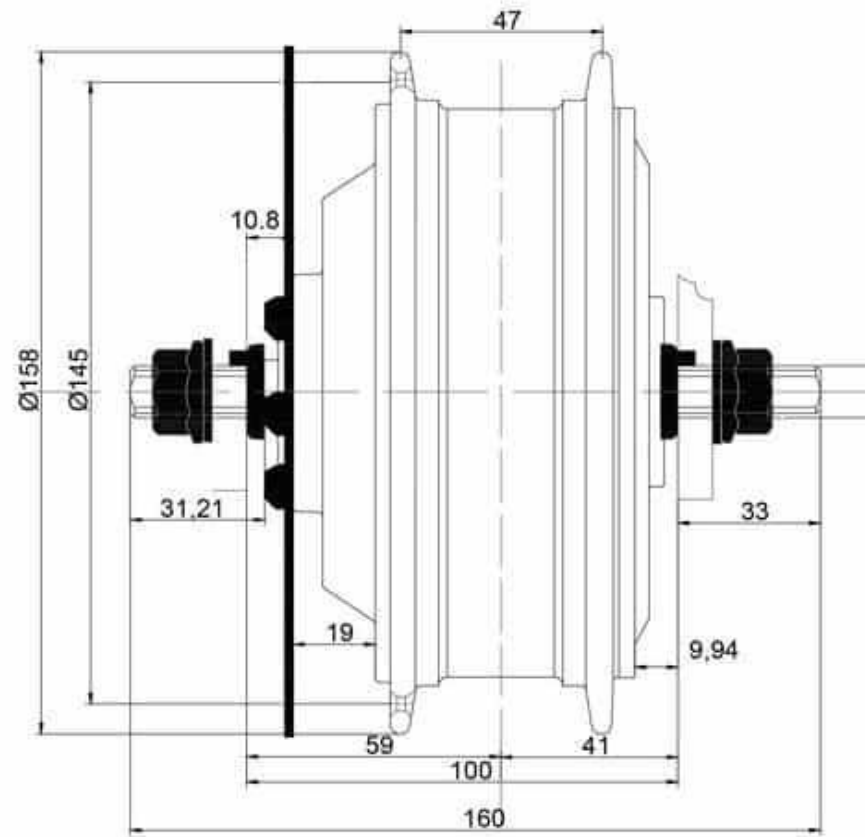
Geeko Front Motor			
Motor Model	MT-3625F	MT-3635F	MT-4850F
Power	250W	350W	500W
Rated Voltage(V)	36		48
RPM	290	350	450
Construction	Gear Drive		
Gear Ratio	4.33		
Torque(NM)	38	40	48
Weight	2.5		3.5
Diameter(mm)	120		150
Efficiency(%)	>80%		
Cable & Connector	9 pins waterproof connector		

PAS Sensor		N/A		
Spoke Holes		36		
Brake		Disc brake or V brake		
Installation Width (mm/OLD)		100		
Max. Speed (KM/H)	20"	25	29	38
	26"	32	38	49
	27.5"	34	40	52
	700C	35	41	53
Waterproof		IP65		
Certificates		CE		

Geeko Front 250W/350W Motor

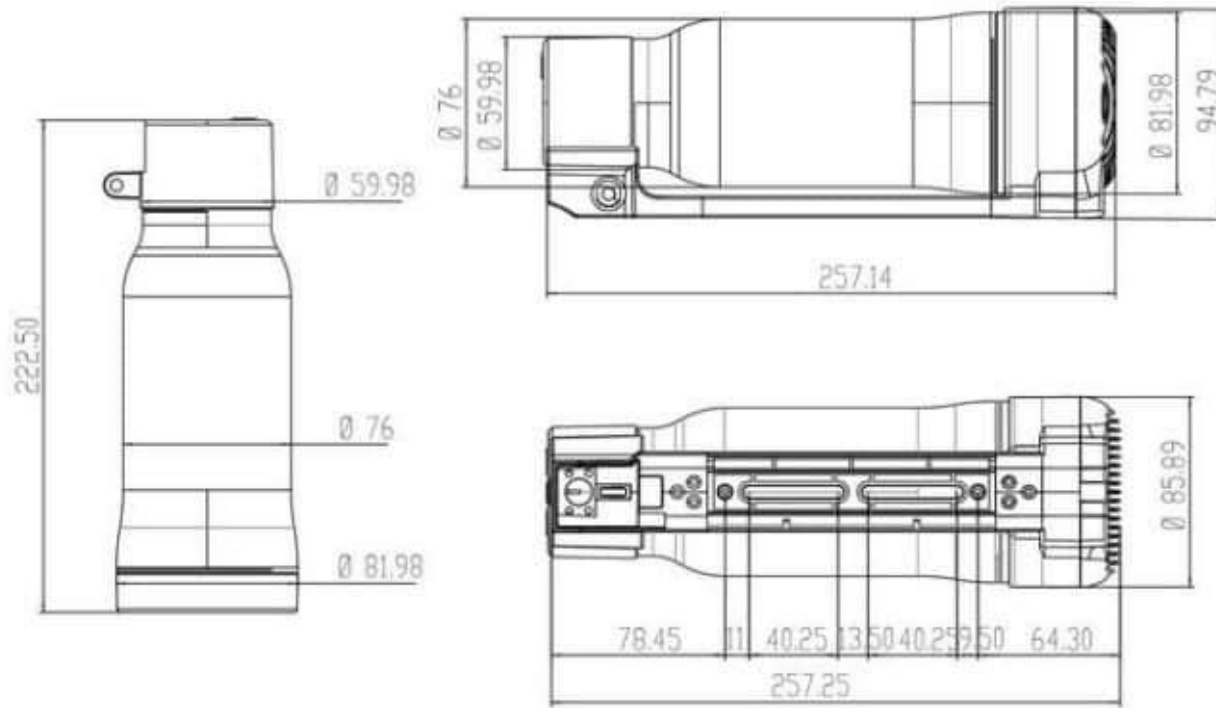


Geeko Front 500W Motor

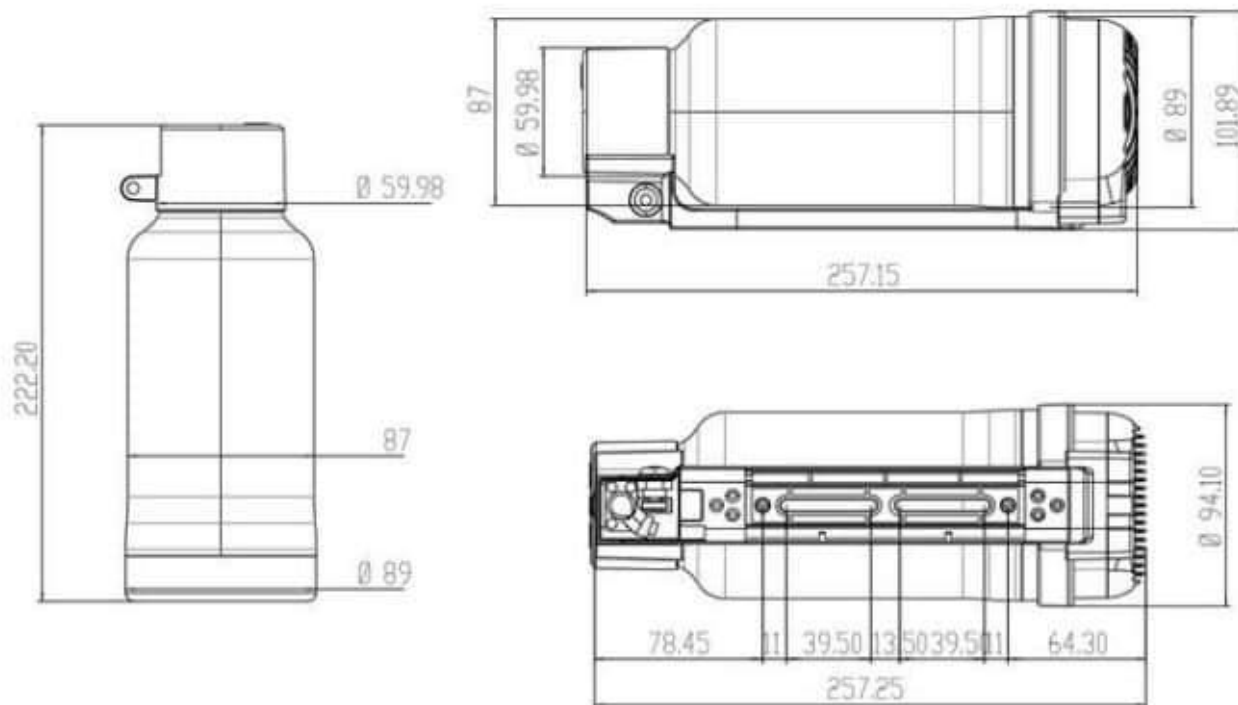


Geeko Bottles

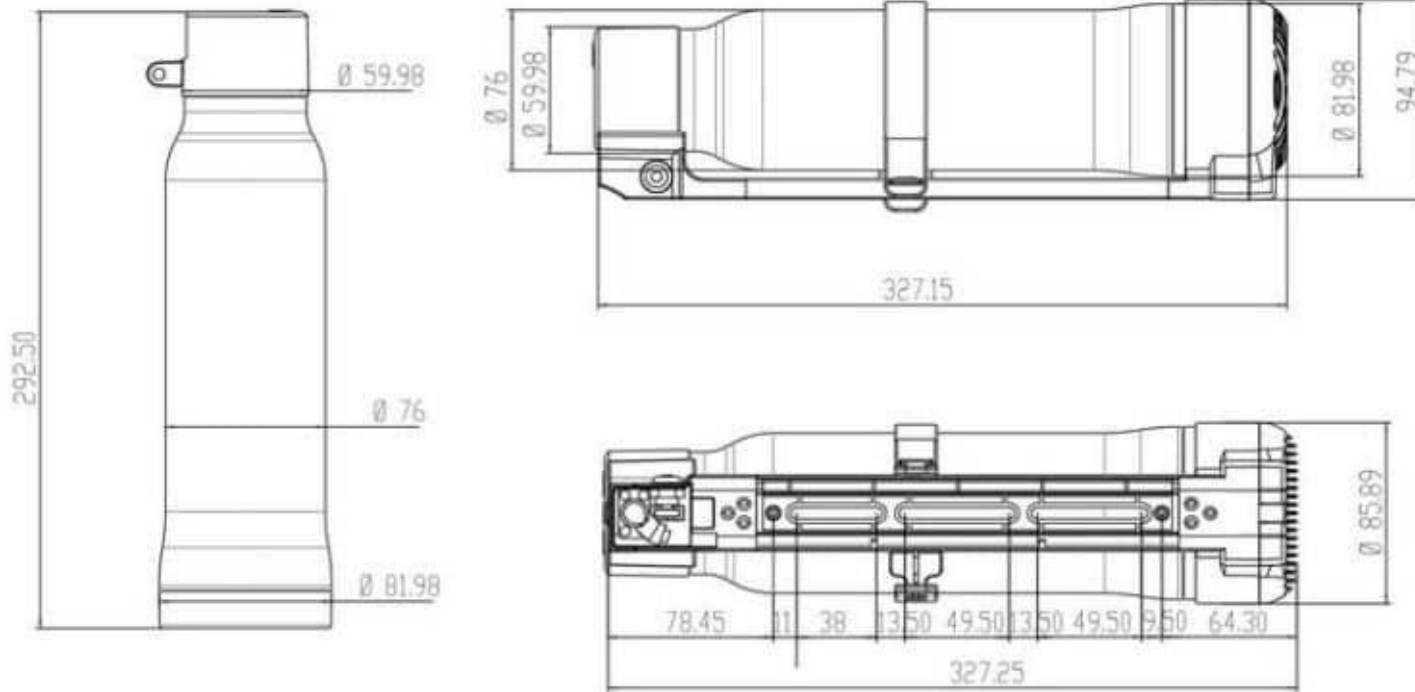
Geeko-Mini-C



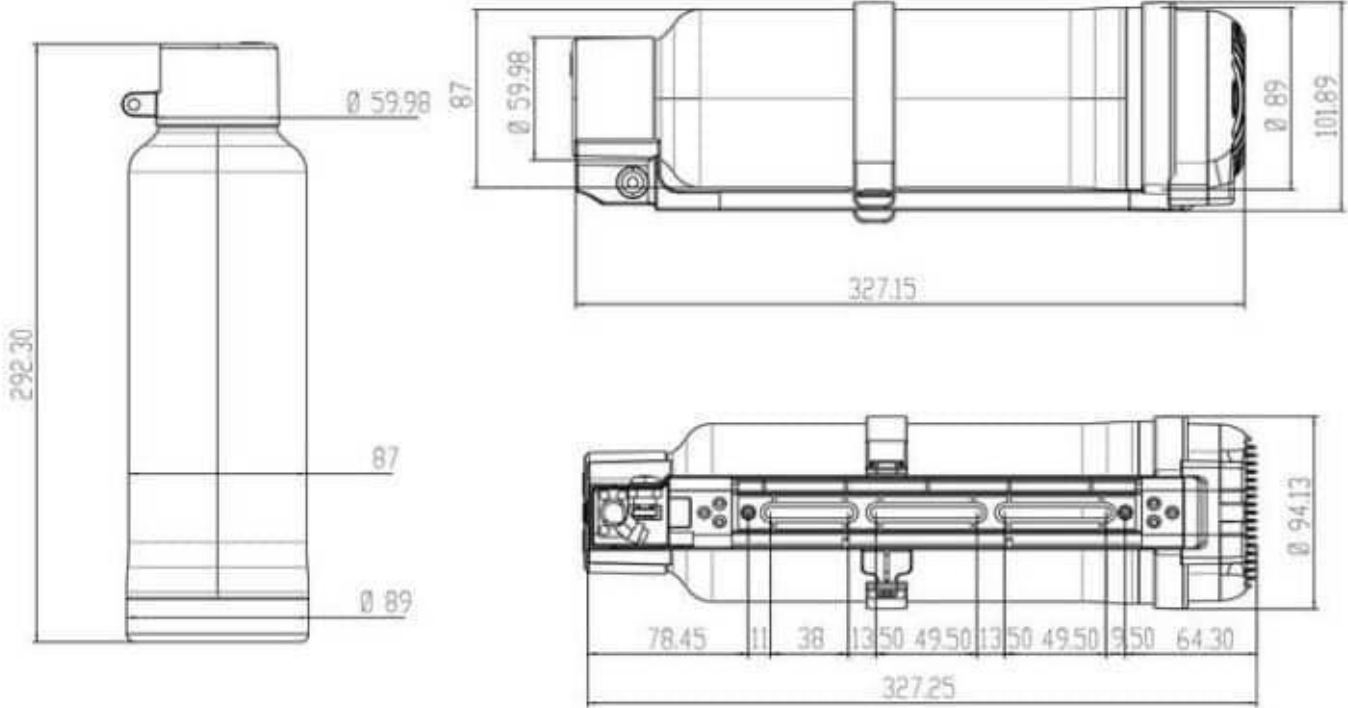
Geeko-Solid-C



Geeko-Prime-C



Geeko-Max-C



Geeko Batteries

Model	GB-36052- Mini-B3	GB-36070- Mini-B3	GB-36100- Solid-B3	GB-36078- Prime-B3	GB-36100- Prime-B3	GB-36150- Max-B3	GB-48100- Max-B3
Bottle Case	Mini	Mini	Solid	Prime	Prime	Max	Max
Capacity	36V 5.2AH	36V 7.0AH	36V 10.0AH	36V 7.8AH	36V 10.0AH	36V 15.0AH	48V 10.0AH
Panel	B3						
Height(mm)	222.5	222.5	222.5	292.5	292.5	292.5	292.5
Diameter(mm)	76	76	87	76	76	87	87
Weight(kg)	1.5	1.5	1.8	1.9	1.9	2.6	2.3
Cell Type	18650	18650	21700	18650	21700	21700	21700
Cell Brand	DC	LG/Samsung	LG/Samsung	DC	LG/Samsung	LG/Samsung	LG/Samsung
Waterproof	IPX7						

Items Weight

Items	Weight(KG)	
Battery	Mini	1.3
	Prime	1.8
	Max	2.6
Motor Wheel	250W	2.6
	350W	2.6
	500W	3.5
Controller	0.4	
Charger	0.5	
Phone Holder	0.2	

Package x 2

Wheel	Package Size(CM)	Package Weight(KG)
20"	50X50X25	9
26"	60X60X25	9
27.5"	60X60X25	9
28" / 29er /700C	65X65X25	9