

Gecko-Rear Specification

Geeko-Rear Kits

Geeko Model	Mini-25052R	Mini-25070R	Mini-35070R	Solid-25100R	Solid-35100R	Prime-25078R	Prime-35078R	Prime-25100R	Prime-35100R	Max-25150R	Max-35150R	Max-50100R
Motor Model	MT-3625R	MT-3625R	MT-3635R	MT-3625R	MT-3635R	MT-3625R	MT-3635R	MT-3625R	MT-3635R	MT-3625R	MT-3635R	MT-4850R
Motor Power	36V250W	36V250W	36V350W	36V250W	36V350W	36V250W	36V350W	36V250W	36V350W	36V250W	36V350W	48V500W
Battery Model	GB-36052-Mini-B3	GB-36070-Mini-B3		GB-36100-Solid-B3		GB-36078-Prime-B3		GB-36100-Prime-B3		GB-36150-Max-B3		GB-48100-Max-B3
Bottle	Mini			Solid		Prime				Max		
Battery Capacity	36V5.2AH	36V7.0AH		36V10.0AH		36V7.8AH		36V10.0AH		36V15.0AH		48V10.0AH
Charger	42V2A			42V3A		42V2A		42V3A		42V3A		54.6V3A
Mileage in PAS mode at level 1 (km)*	65	85		130		95		130		200		130

Mileage in throttle mode (km)*	N/A	N/A	28	N/A	40	N/A	30	N/A	40	N/A	60	40
--------------------------------	-----	-----	----	-----	----	-----	----	-----	----	-----	----	----

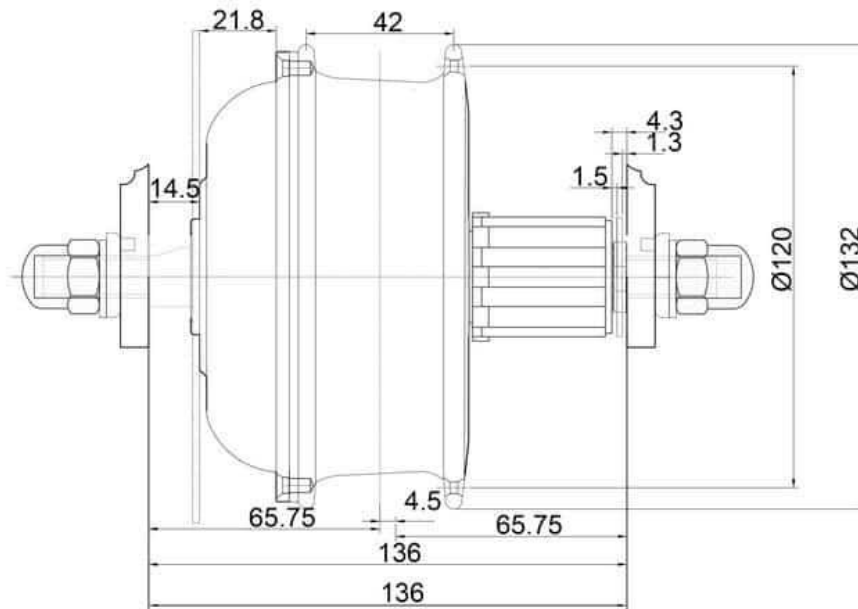
*Regarding the mileage, it is obtained under the following ideal conditions: flat road, no wind, 30 degrees Celsius, the rider's weight is 60KG, the actual mileage will vary due to different conditions

Geeko Rear Motors

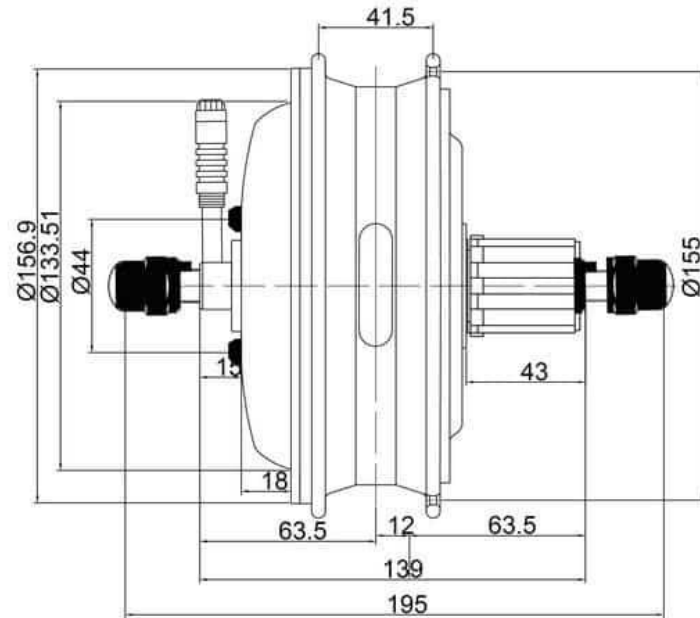
Geeko Rear Motor			
Motor Model	MT-3625R	MT-3635R	MT-4850R
Power	250W	350W	500W
Rated Voltage(V)	36		48
RPM	290	350	450
Construction	Gear Drive		
Gear Ratio	4.33		
Torque(NM)	38	40	48
Weight	2.6		3.5
Diameter(mm)	132		150
Efficiency(%)	>80%		
Cable & Connector	10 pins waterproof connector		
PAS Sensor	Built-In Cassette Sensor		

Cassette	Default version: 7-10S			
	Special version: 11-12S			
Spoke Holes	36			
Brake	Disc brake or V brake			
Installation Width (mm/OLD)	135		142	
Max. Speed (KM/H)	20"	22	27	35
	26"	29	35	45
	27.5"	31	37	48
	700C	32	39	50
Waterproof	IP65			
Certificates	CE			

Geeko Rear 250W/350W Motor

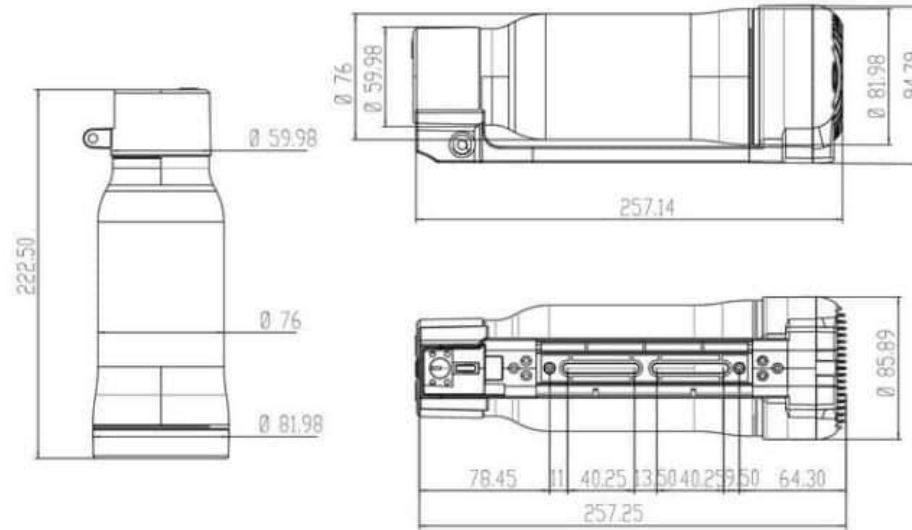


Geeko Rear 500W Motor

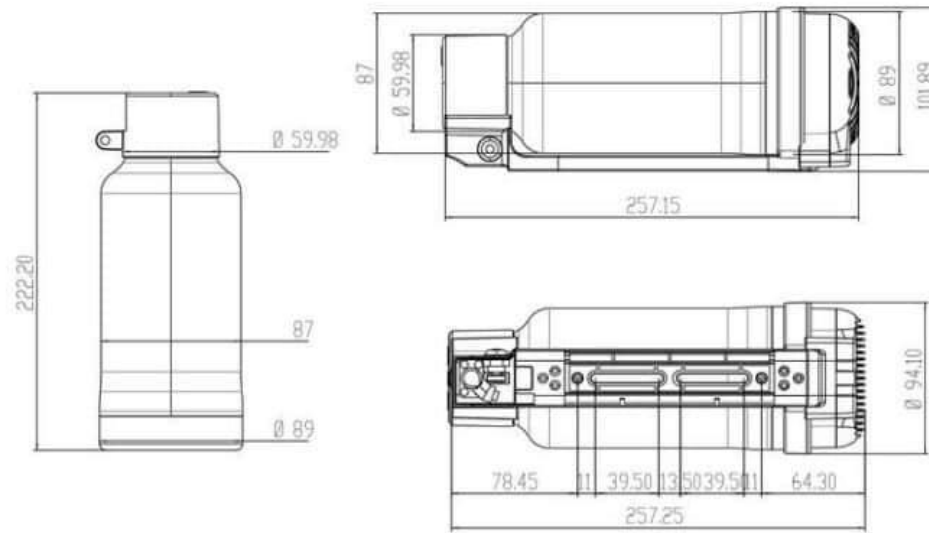


Geeko Bottles

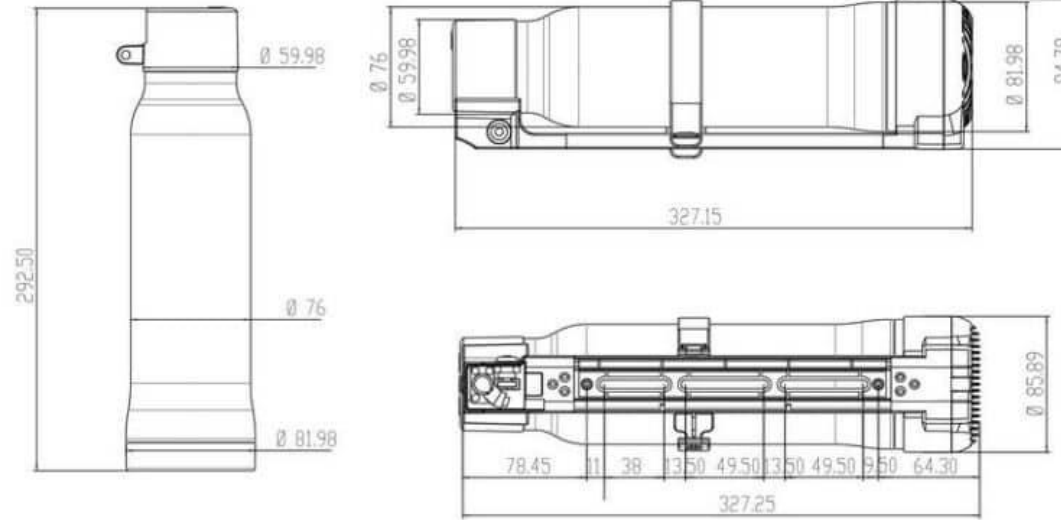
Geeko-Mini-C



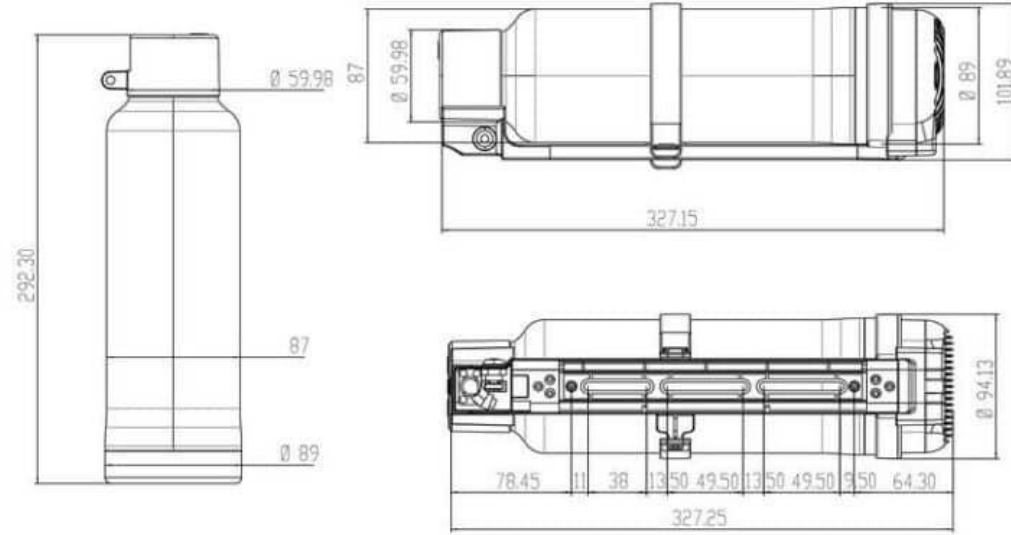
Geeko-Solid-C



Geeko-Prime-C



Geeko-Max-C



Geeko Batteries

Model	GB-36052-Mini-B3	GB-36070-Mini-B3	GB-36100-Solid-B3	GB-36078-Prime-B3	GB-36100-Prime-B3	GB-36150-Max-B3	GB-48100-Max-B3
Bottle Case	Mini	Mini	Solid	Prime	Prime	Max	Max
Capacity	36V 5.2AH	36V 7.0AH	36V 10.0AH	36V 7.8AH	36V 10.0AH	36V 15.0AH	48V 10.0AH
Panel	B3						
Height(mm)	222.5	222.5	222.5	292.5	292.5	292.5	292.5
Diameter(mm)	76	76	87	76	76	87	87
Weight(kg)	1.5	1.5	1.8	1.9	1.9	2.6	2.3
Cell Type	18650	18650	21700	18650	21700	21700	21700
Cell Brand	DC	LG/Samsung	LG/Samsung	DC	LG/Samsung	LG/Samsung	LG/Samsung
Waterproof	IPX7						

Items Weight

Items	Weight(KG)	
Battery	Mini	1.3
	Prime	1.8
	Max	2.6
Motor Wheel	250W	2.6
	350W	2.6
	500W	3.5
Controller	0.4	
Charger	0.5	
Phone Holder	0.2	

Package

Wheel	Package Size(CM)	Package Weight(KG)
20"	50X50X25	9
26"	60X60X25	9
27.5"	60X60X25	9
28" / 29er /700C	65X65X25	9